

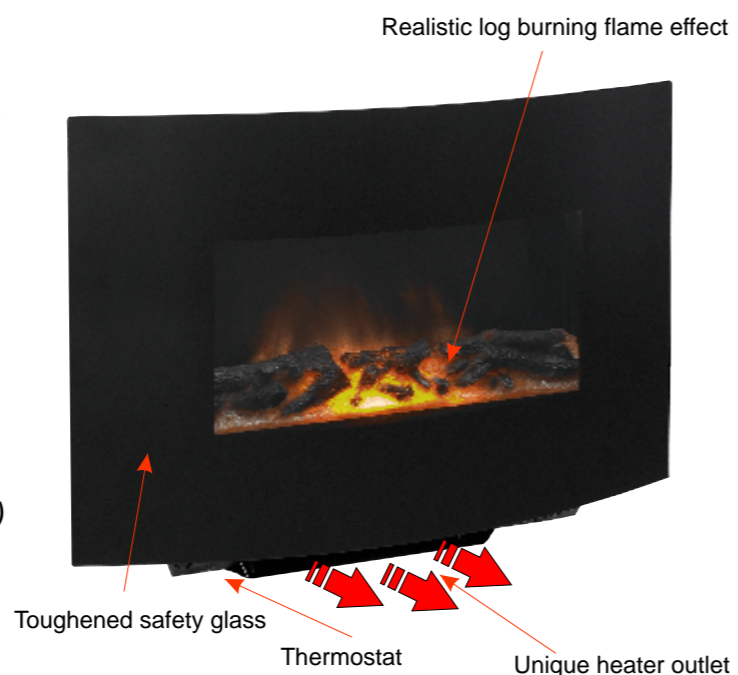
ELECTRIC FIRE FEATURES

Key features

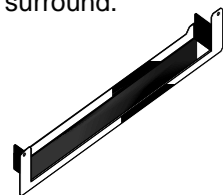
- 1 - 2 kW heat settings
 - Low level forward facing heat output
 - Realistic Flame effect
 - 2 kW Output
 - 100% efficient low loss heat system
 - Thermostat Control
 - Thermal safety cutouts
 - ISO 9001:2008 manufactured
- Quality
- One piece toughened glass front
 - Hang on wall fitting or;
 - Inset fitting (flat front only)
 - Partial inset fitting (curved front only)

Options and unique features available on some models

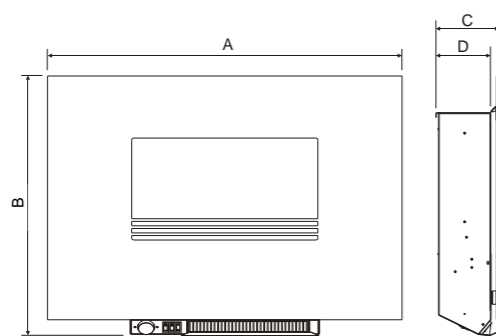
- Remote Control
- Quick release mains connection



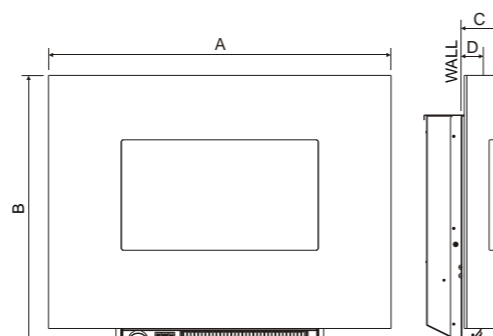
Flamescape II inset. To inset the Flamescape II fire an adaptor tray (shown below) is required to enable the fire to be fully integrated into a surround.



Flamescape II Inset Fire Dimensions: A, B, C & D are given on the inside pages



Flamescape II Partial Inset Fire Dimensions: A, B, C & D are given on the inside pages



We reserve the right to alter and amend specification as detailed in this brochure without notice.



Widney Leisure Ltd, Saxon Business Park, Stoke Prior, Bromsgrove, Worcestershire B60 4AD
 Telephone +44(0)1527577800 Fax +44(0)1527577900
 Email: sales@widney-leisure.co.uk—web: www.widney-leisure.co.uk

A CARVER Group Company

Flamescape II issue c © WIDNEY2010

Flamescape II

Real Flame Electric Landscape Fires



Real Look Flame
 Toughened Reflective Glass
 Easy Reach Controls
 Thermostat
 Easy to install
 Low running costs



The Environment - All Widney heating systems are supplied in 100% recyclable packaging. They are WEEE and RoHS compliant and approved to the latest European Standards



Flamescape II

Superior Electric Fires



**Flamescape II C
Curved Glass**

Flamescape II fires are styled to compliment modern decor and have a unique heating system that enables the product to be fitted on a wall, part* or fully inset. (* with optional brackets) The low level forward facing heat outlet will allow the fire to be fitted directly below heat sensitive products, such as a television. The same forward facing heat outlet enables the Flamescape II to be fitted closer to the floor than many similar fires, avoiding potential damage to flooring or fireplaces.

Design is what the Flamescape II is about; from its realistic flame effect and its life like log burning appearance to the one piece toughened glass front, replicating the look of a modern day LCD television

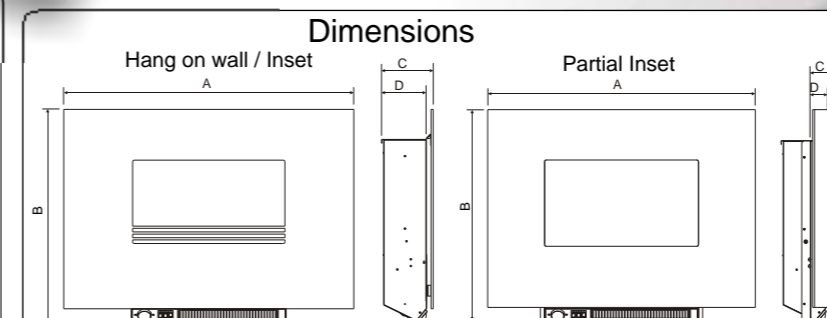


**Flamescape II
Flat Glass**

The Flamescape II range is available with either a flat or curved front and because of its unique fan system can be either inset or partially inset into a wall or mounted on a flat wall.



Infrared Remote Option



Dimensions shown indicate overall dimensions. To inset the fire an optional inset kit is required please refer to the detailed specification page for inset dimensions.

NOTE: Flamescape II C is not available as an inset fire
All Dimension stated in Millimetres

Model	A	B	C	D
Flamescape II	800	586	142	124
Flamescape II C	745	586	165	124
Flamescape II C/PI	745	586	83	42