

WIDNEY

Installation and Maintenance Instructions

MPH PLINTH HEATER

Models: PH350 / 500 / 700

Widney Leisure Limited
Saxon Business Park,
Hanbury Road,
Stoke Prior, Bromsgrove,
Worcestershire, B60 4AD.
England.

Telephone: +44 (0)1527 577800
Fax: +44 (0)1527 577900

UK

D

NL



MPH PLINTH HEATER Installation and Maintenance Instructions

CONNECTION TO THE MAINS POWER SUPPLY

Electrical installation shall be carried out by a competent installer who is registered with the National Inspection Council for Electrical Installation Contracting (NICEIC) in accordance with BS 7671:1992 (16th Edition IEE Wiring Regulations) and any local authority bye laws.

This appliance must be earthed

IMPORTANT: IF IN DOUBT ALWAYS SEEK THE ADVICE OF A COMPETENT ELECTRICIAN.
ELECTRICAL INSTALLATION

Connect the appliance only to single phase AC supply of the voltage specified on the rating plate on the body of the appliance.

Before commencing electrical connection, servicing or maintenance of the unit ensure that the supply circuit used has been disconnected.

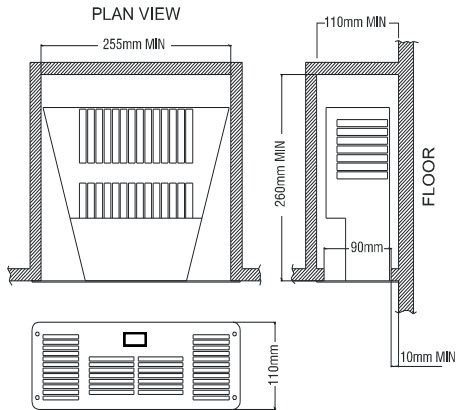
Prior to making the electrical connections, the aperture in the furniture must be prepared. See Fig 1.

A fused (5 amp) switched double pole isolator with a contact separation of at least 3mm in both poles should be provided adjacent to the unit. From the heater run the 3 core PVC insulated PVC sleeved 0.75 mm² cable to the isolator.

- Do not cover or hang clothes, towels etc over or near the heater as this could cause over heating and possible damage.
- The heater should not be used immediately below a socket outlet.
- Do not install this heater in the immediate vicinity of a bath, shower or swimming pool.
- If this heater is used with an external programme controller, thermal control, timer or any other device which switches the heater on automatically; a separate isolation switch must be linked into the installation for the safety of the installer or service engineer.
- Do not allow an excess of cable between the appliance and the furniture as this may be snagged or trapped when fitting the heater into the furniture cavity.

The unit must be fitted indoors to an opening in the front face of the furniture 255mm x 90mm at least 10mm above the floor. In all cases there must be the minimum clearance around the case of the unit as shown in fig 1. Do not site the unit where it may be dripped upon or where clothes or coverings such as curtains can obstruct the air slots at the front. If the unit is fitted to the base of a cupboard, a panel must be fitted over the unit to seal it from ingress of dust and objects.

Screw the front plate to the face of the furniture using appropriate fixing screws.



PH350 / 500 / 700, as shown.

Dimensions remain the same on all models

Fig. 1

OPERATION

Model PH350 / 500 / 700 : Switch the ON/OFF switch located on the front plate to "ON" (I = ON 0 = OFF).

SAFETY CUT- OUT

The heating element is fitted with a reset cut-out which will switch the heater off if it overheats. Should this occur:

- switch the heater off and allow it to cool.
- Check that there are no objects blocking the air inlets to the fan at the side and that there is no obstruction of the fan outlet at the front.

When the fire has cooled sufficiently the cut-out will reset automatically and the appliance can be switched on again.

If the fault persists seek professional advice.

MAINTENANCE

CLEANING

- **Isolate the appliance before cleaning.**
- Under no circumstances use an abrasive cleaner on painted surfaces. Such use will cause permanent damage to the appearance of your heater.

Your Widney plinth heater is a specialist piece of equipment. Any maintenance repair or servicing should be carried out by a qualified engineer with the specialist equipment necessary. In particular the cover should never be removed whilst the unit is connected to the supply.

SOCKELHEIZGERÄT MPH

Installations - und Wartungsanleitung

ANSCHLUSS AN DAS NETZ

Der Anschluss ist von einem Fachmann entsprechend den nationalen und örtlichen Installationsvorschriften durchzuführen.

Dieses Gerät muss geerdet werden.

**ACHTUNG: IM ZWEIFELSFALL IST DER RAT EINES QUALIFIZIERTEN ELEKTRIKERS EINZUHOLEN.
ELEKTROINSTALLATION**

Das Gerät darf nur an Einphasenwechselstrom mit einer Spannung entsprechend den Angaben auf dem Typenschild am Gerät angeschlossen werden.

Ehe das Gerät angeschlossen oder gewartet wird, muss es vom Netz getrennt werden.

Vor dem Anschluss ans Netz muss die Öffnung im Möbelstück vorbereitet werden.
Vgl. Abb. 1.

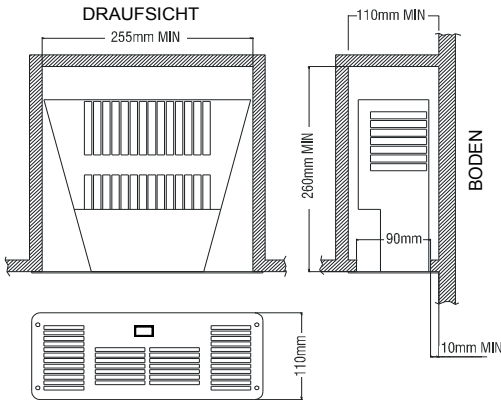
Ein zweipoliger Trennschalter mit Sicherung (5 A) und einem Kontaktabstand von mindestens 3 mm an beiden Polen muss in der Nähe des Gerät vorhanden sein. Zwischen Heizgerät und Trennschalter ist ein 3-adriges Kabel 0,75 mm² mit PVC-Isolierung und PVC-Isolierschlauch zu verlegen.

- Über dem oder in der Nähe des Heizgeräts dürfen keine Kleider, Handtücher usw. aufgehängt werden, da ein Verdecken zu Überhitzen und Beschädigung führen kann.
- Das Heizgerät darf nicht direkt unter einer Steckdose verwendet werden.
- Das Heizgerät darf nicht nahe an Badewannen, Duschen oder Schwimmbecken installiert werden.
- Wenn das Heizgerät mit einem externen programmierbaren Steuergerät, einem Wärmeregler, Zeitschalter oder anderem Gerät betrieben wird, das das Heizgerät automatisch einschaltet, muss es zum Schutz des Installateurs oder Kundendiensttechnikers an einen separaten Trennschalter angeschlossen werden.
- Zwischen dem Gerät und dem Möbelstück darf nicht zu viel Kabel liegen, da sich dieses beim Einbau des Heizgeräts in das Möbelstück verfangen oder eingeklemmt werden kann.

Das Gerät muss in Innenräumen in eine Öffnung von 255mm x 90mm und mindestens 10 mm über dem Boden vorne im Möbelstück eingebaut werden. In jedem Fall muss wie in Abb. 1 gezeigt ein Mindestabstand um das Gerät herum eingehalten werden.

Das Gerät ist so aufzustellen, dass es keinem Tropfwasser ausgesetzt ist und dass die Luftschlitze vorne im Gerät nicht durch Kleider, Gardinen o.ä. verdeckt werden. Wenn das Gerät unten in einen Schrank eingebaut wird, muss darüber eine Platte eingebaut werden, um es vor dem Eindringen von Staub und Gegenständen zu schützen.

Die Frontplatte ist mit geeigneten Befestigungsschrauben vorne auf das Möbelstück aufzuschrauben.



Modell PH350 / 500 / 700,
wie gezeigt.

Die Maße für alle
Modelle sind dieselben.

Abb. 1

BEDIENUNG

Modell PH350/500/700:

Der EIN-/AUS-Schalter befindet sich auf der Frontplatte. (I = EIN, O = AUS).
Den Schalter auf Stellung I (EIN) stellen.

ÜBERHITZUNGSSCHUTZ

Das Heizgerät ist durch einen Überhitzungsschutz geschützt. Dieser schaltet das Heizgerät aus, wenn es sich überhitzt.

Wenn dies eintreten sollte:

- Heizgerät ausschalten.
- Abkühlen lassen.

Überprüfen, dass das Luftgitter nicht durch irgendwelche Gegenstände blockiert wird.

Wenn das Gerät ausreichend abgekühlt ist, setzt sich der Überhitzungsschutz automatisch zurück. Das Gerät kann dann wieder eingeschaltet werden.

Wenn der Fehler wiederholt auftritt, wenden Sie sich bitte an einen Fachmann.

INSTANDHALTUNG

SÄUBERN

- **Das Gerät vor dem Säubern vom Netz trennen.**
- Lackierte Flächen dürfen unter keinen Umständen mit Scheuermitteln gereinigt werden, da diese die Oberfläche Ihres Heizgeräts auf Dauer beschädigen können.

Ihr Widney-Sockelheizgerät ist ein Spezialgerät. Wartung, Reparatur und Instandhaltung darf nur von qualifizierten Fachleuten mit den erforderlichen Spezialwerkzeugen durchgeführt werden. Die Abdeckung darf nicht abgenommen werden, solange das Gerät ans Netz angeschlossen ist.

MPH Plint Verwarming

Installatie- en onderhoudsinstructies

INSTALLATIE OP HET ELECTRICITEITSNET

De elektrische installatie dient te worden uitgevoerd door een erkende vakbekwame installateur, en overeenkomstig de geldende nationale en of regionale bepalingen inzake elektra installaties te worden uitgevoerd.

Dit toestel moet worden geaard

**BELANGRIJK: RAADPLEEG BIJ TWIJFEL ALTIJD EEN VAKBEKWAME
ELEKTRICIEN.
ELEKTRISCHE INSTALLATIE**

Sluit het toestel aan op een enkelfase wisselstroombron met het voltage zoals aangegeven op het typeplaatje op de behuizing van het toestel.

Zorg dat de elektriciteit is uitgeschakeld alvorens te beginnen met de elektrische aansluiting of onderhoud van het toestel.

Voordat de Plint Verwarming kan worden aangesloten, dient deze eerst in het meubilair te worden ingebouwd.

Zie afb. 1.

In de omgeving van het toestel dient een hoofdschakelaar, tweepolig voorzien van een zekering van 5 ampère te worden aangebracht, waarbij de scheiding tussen de contacten ten minste 3 mm dient te bedragen. Sluit de hoofdschakelaar via het drieadelige snoer van 0,75 mm² met pvc-isolatie en een pvc-manchet aan op het toestel.

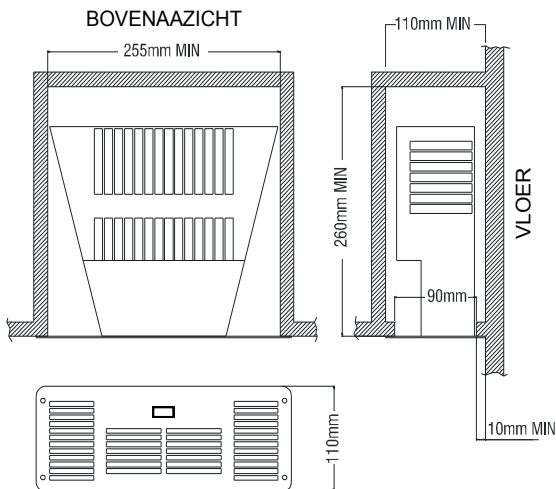
- De Plint Verwarming niet bedekken of kleding, handdoeken, enz. over of in de buurt van het toestel hangen, aangezien dit oververhitting en mogelijke schade zou kunnen veroorzaken.
- De Plint Verwarming mag niet vlak onder een stopcontact worden gebruikt.
- Installeer de Plint Verwarming niet in de buurt van een bad, douche of zwembad.
- Indien de Plint Verwarming samen met een externe programmaregelaar, warmteregelaar, tijd klok of enig ander apparaat dat de Plint Verwarming automatisch kan inschakelen, wordt gemonteerd dient er een aparte isoleer schakelaar gemonteerd te worden dit voor de veiligheid van de installateur of service monteur.

Laat geen overmaat aan kabel tussen het toestel en het meubilair liggen, aangezien deze beschadigd kan raken of klem kan komen te zitten als de Plint Verwarming in de opening van het meubilair wordt aangebracht.

De Plint Verwarming dient binnenshuis te worden geïnstalleerd, via een opening van 255 mm x 90 mm aan de voorzijde van het meubilair, ten minste 10 mm boven de vloer. In alle gevallen moet er een minimale vrije ruimte rondom de behuizing van het toestel aanwezig zijn, zoals aangegeven in afb. 1.

Installeer de Plint Verwarming niet op een plaats waar er vocht op kan druppelen of waar kleding of stoffen als gordijnen de luchtspelen aan de voorkant kunnen bedekken. Als de Plint Verwarming onder in een kast wordt aangebracht, dan dient er een paneel boven het toestel te worden aangebracht om het af te sluiten voor omlaag vallende stofdeeltjes en of voorwerpen.

Schroef het voorpaneel met passende bevestigingsschroeven tegen de voorzijde van het meubilair.



PH350 / 500 / 700, als afgebeeld.

Alle modellen hebben dezelfde afmetingen.

Afb. 1

Model PH350/500/700:

De aan/uit-schakelaar bevindt zich op de voorplaat. (I = aan, O = uit).

Zet de schakelaar in stand I (aan).

Oververhittingsbeveiliging

De verwarming is uitgerust met een oververhittingsbeveiliging. Deze schakelt de verwarming uit bij oververhitting.

Mocht dit gebeuren:

- Schakel de verwarming uit.
- Laat hem afkoelen.

Controleer dat geen enkel deel van het luchtrooster van de verwarming geblokkeerd wordt door voorwerpen.

Als de verwarming voldoende is afgekoeld, zal de beveiliging zich automatisch resetten. U kunt het toestel dan opnieuw inschakelen.

Als de storing blijft optreden: raadpleeg een deskundige.

ONDERHOUD

REINIGEN

- **Isoleer het apparaat voor u het gaat reinigen.**
- Gebruik nooit een schuurmiddel op de gelakte oppervlakken. Gebruik van dergelijke middelen veroorzaakt blijvende schade aan het aanzicht van uw Plint Verwarming.

De Plint Verwarming van Widney is een gespecialiseerd apparaat. Onderhoud of reparatie mag uitsluitend worden uitgevoerd door een vakbekwame electricien in het bezit van de benodigde gespecialiseerde apparatuur. In het bijzonder mag het voorpaneel nooit worden verwijderd terwijl het toestel nog is aangesloten op het elektriciteitsnet.

UK Distributor

**Widney Leisure Ltd
Saxon Business Park,
Hanbury Road,
Stoke Prior, Bromsgrove,
Worcestershire, B60 4AD.
England.**

Tel. +44 (0)1527 577800

Fax: +44 (0)1527 577900

Distributeur Nederland

**Bruny Bogers Agencies
Nieuwgraaf 77B
6921 RK Duiven
Nederland**

Tel. 0031 26 4950656

Fax: 0031 26 4950657

Serial number



WIDTHERM

MPR PLINTH

Radiator

Installation and Maintenance Instructions

Model MPR 1000

Widney Leisure Ltd
Saxon Business Park,
Hanbury Road,
Stoke Prior, Bromsgrove,
Worcestershire, B60 4AD.
England.

Telephone: +44 (0)1527 577800

Fax: +44 (0)1527 577900

CONNECTION TO THE MAINS POWER SUPPLY

Electrical installation shall be carried out by a competent installer who is registered with the National Inspection Council for Electrical Installation Contracting (NICEIC) in accordance with BS 7671:1992 (16th Edition IEE Wiring Regulations) and any local authority byelaws.

This appliance must be earthed

IMPORTANT: IF IN DOUBT ALWAYS SEEK THE ADVICE OF A COMPETENT ELECTRICIAN.



The Symbol shown here and on the product indicates that the product is classed as Electrical or Electronic Equipment, and should not be disposed with other household or commercial waste at the end of its working life. The Waste of Electrical and Electronic Equipment (WEEE) Directive (2002/96/EC) has been put in place to recycle products using best available recovery and recycling techniques to minimize the impact on the environment, treat any hazardous substances and avoid the increasing landfill.

Product disposal instructions for residential users:

When you have no further use for it, please remove any batteries and dispose of them and the product as per your local authorities re-cycling processes: For more information please contact your local authority or the retailer where the product was purchased.

Product disposal instructions for business users:

This product should not be mixed with other commercial waste for disposal.

Electrical installation

Connect the appliance only to single phase AC supply of the voltage specified on the rating plate on the body of the appliance.

Before commencing electrical connection, servicing or maintenance of the unit ensure that the supply circuit used has been disconnected.

Prior to making the electrical connections, the aperture in the furniture must be prepared. See Fig 1.

A fused (3 amp) switched double pole isolator with a contact separation of at least 3mm in both poles should be provided adjacent to the unit.

From the heater run the 3 core PVC insulated PVC sleeved 0.75 mm² cable to the isolator.

- Do not cover or hang clothes, towels etc over or near the heater as this could cause over-heating and possible damage.
- The heater should not be used immediately below a socket outlet.
- Do not install this heater in the immediate vicinity of a bath, shower or swimming pool.
- If this heater is used with an external programmed controller, thermal control, timer or any other device, which switches the heater on automatically; a separate isolation switch must be linked into the installation for the safety of the installer or service engineer.
- Do not allow an excess of cable between the appliance and the furniture as this may be snagged or trapped when fitting the heater into the furniture cavity.

Introduction

The Wet Plinth Heater is designed for use on a normal wet two pipe pumped central heating system. It is specifically intended to replace radiators where space is limited or wall hung devices are inappropriate. The unit locates behind the kickboard of modern built in furniture thereby utilizing space, which would not normally be used. It is floor mounted and attaches itself to the kickboard where a minimum height of 110mm is available.

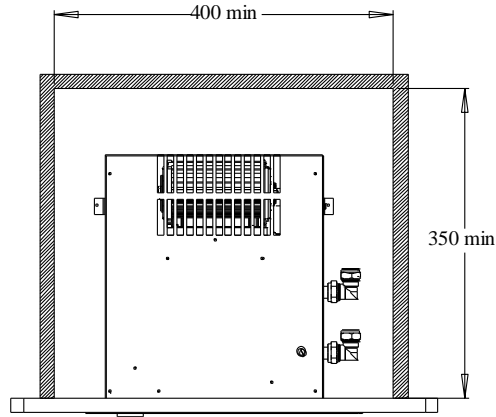
Principle of operation:

MPR 1000 Fan assisted radiator. The water radiator fitted to this home is known as fan coil radiators. A fan coil radiator works differently to a normal wall radiator in that less water is needed to generate heat, thus improving efficiency. The MPR system has a fan which blows air across the heater matrix within the unit, the air enters the unit at room temperature and exits at the temperature set by the water. Operation of the MPR is automatic in that once the water reaches a temperature of 55°C or above the fan will operate and heat will be blown through the ducts into the room. The thermostat mounted on the front of the unit will modulate the fan according to the temperature set. It is important to note that the fan will not operate until the water temperature reaches 55°C.

Installation:

The minimum space required to install the heater is as shown in fig 1 & 2.

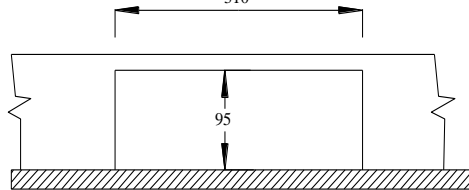
Fig 1



The unit must be fitted to an opening in the front face of the furniture 310mm x 95 mm.

Do not site the unit where it may be dripped upon or where clothes or coverings such as curtains can obstruct the air slots at the front. If the unit is fitted to the base of a cupboard, a panel must be fitted over the unit to seal it from ingress of dust and any other objects.

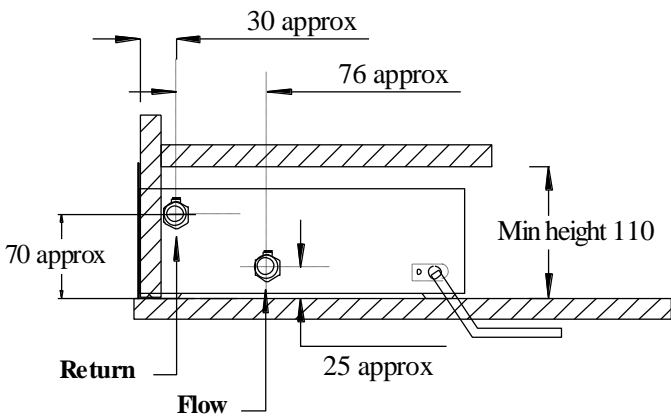
Fig 2



Plinth cut away details.

Water connections:

Fig 3



The unit should be fitted with isolating valves within close proximity. This to facilitate local draining for any service work required. In order to make the unit removable from the front, connecting pipe-work to the heat exchanger tail pipes should be compression type and **NOT** solder capillary type.

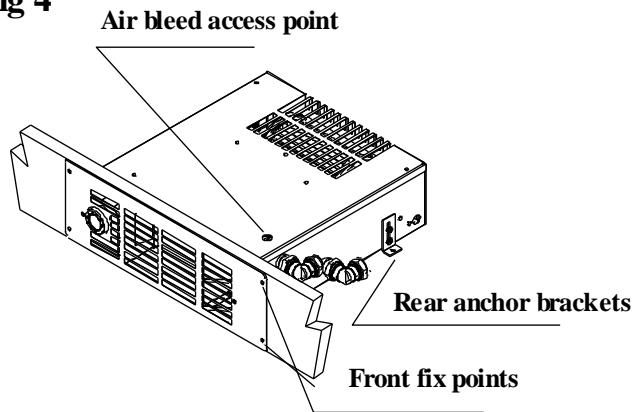
See Fig 1.

A removable access plate fitted to the base of the cupboard unit under which it is fitted will ensure easy access

Secure unit

Screw the front plate to the face of the furniture using screws provided and secure at rear using anchor plates. (See fig 4.).

Fig 4



Commissioning:

The unit must be isolated from electrical connection whilst filling and purging system of air.

When filling the heating system the unit should self-vent but in the case of an air lock, a bleed screw is provided on the heater connection tail pipe. (See fig 4).

Unscrewing the bleed nut $\frac{1}{2}$ turn should allow any air in the heater coil to be expelled. Ensure all water connections are sound and check the operation of the heater thermostats.

Turn the user adjustable thermostat at the front of the grill to the maximum position, then turn on the central heating system and allow water to circulate through the coil.

ENSURE THAT ANY ISOLATING VALVES FITTED ARE SET TO THE OPEN POSITION.

Turn on power to the unit from the isolator switch.

Once the water reaches a temperature of 55 C or above the fan will operate and will continue to run until the air temperature in the room reaches the required comfort limit set by the user operated thermostat

Maintenance and Cleaning:

Cleaning

Under no circumstances use an abrasive cleaner on painted surfaces. Such use will cause permanent damage to the appearance of your heater.

Maintenance

Your Widney plinth heater is a specialist piece of equipment. Any maintenance repair or servicing should be carried out by a qualified engineer with the specialist equipment necessary. In particular the cover should never be removed whilst the unit is connected to the supply.

Note:

If the mains connection cable is damaged, it must be replaced by the Manufacturer, its Service agent or a qualified competent person in order to avoid a hazard and comply with legislative requirements.

Adequate care should be taken that the appliance is NOT tampered with in any way during its operation.

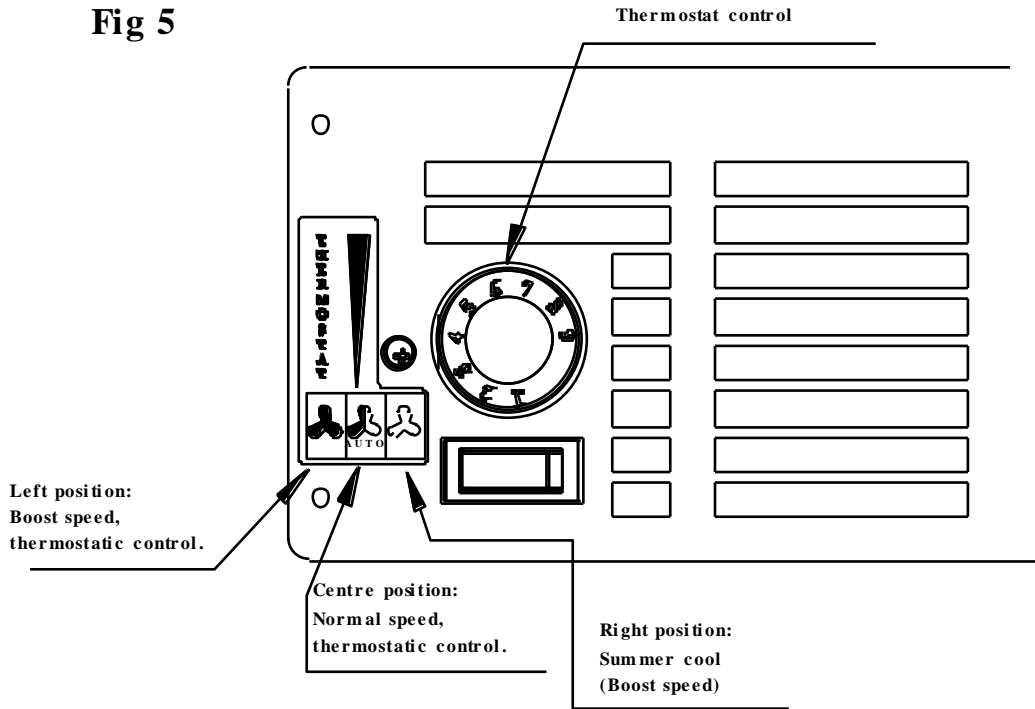
Operation:

The unit is fitted with a user adjustable thermostat to suit preferred conditions.

In addition the switch immediately below the thermostat will provide 30% extra heat output if required.

Note: Both normal (centre) and boost ((left position) on the switch are controlled from the thermostat automatically. The fan will only operate when the water reaches a minimum 55 C in the central heating system. See fig 5

Fig 5



Summer operation:

If the right hand setting is chosen, the unit will re-circulate air when required during summer months. In this position the fan will run irrespective of water temperature and can therefore operate independently of the heating system. If chosen when the heating system is on the fan will operate continuously regardless of any temperature setting on the thermostat