

WIDTHERM

MPR PLINTH

Radiator

Installation and Maintenance Instructions

Model MPR 1000

Widney Leisure Ltd
Saxon Business Park,
Hanbury Road,
Stoke Prior, Bromsgrove,
Worcestershire, B60 4AD.
England.

Telephone: +44 (0)1527 577800

Fax: +44 (0)1527 577900

CONNECTION TO THE MAINS POWER SUPPLY

Electrical installation shall be carried out by a competent installer who is registered with the National Inspection Council for Electrical Installation Contracting (NICEIC) in accordance with BS 7671:1992 (16th Edition IEE Wiring Regulations) and any local authority byelaws.

This appliance must be earthed

IMPORTANT: IF IN DOUBT ALWAYS SEEK THE ADVICE OF A COMPETENT ELECTRICIAN.



The Symbol shown here and on the product indicates that the product is classed as Electrical or Electronic Equipment and should not be disposed with other household or commercial waste at the end of its working life. The Waste of Electrical and Electronic Equipment (WEEE) Directive (2002/96/EC) has been put in place to recycle products using best available recovery and recycling techniques to minimise the impact on the environment, treat any hazardous substances and avoid the increasing landfill.

Product disposal instructions for residential users

When you have no further use for it, please remove any batteries and dispose of them and the product as per your local authority's recycling processes. For more information please contact your local authority or the retailer where the product was purchased.

Product disposal instructions for business users

This product should not be mixed with other commercial waste for disposal.



Electrical installation

Connect the appliance only to single phase AC supply of the voltage specified on the rating plate on the body of the appliance.

Before commencing electrical connection, servicing or maintenance of the unit ensure that the supply circuit used has been disconnected.

Prior to making the electrical connections, the aperture in the furniture must be prepared. See Figs 1 & 2.

A fused (3 amp) switched double pole isolator with a contact separation of at least 3mm in both poles should be provided adjacent to the unit. From the heater run the 3 core PVC insulated PVC sleeved 0.75 mm² cable to the isolator.

Do not cover or hang clothes, towels etc over or near the heater as this could cause over heating and possible damage.

The heater should not be used immediately below a socket outlet.

Do not install this heater in the immediate vicinity of a bath, shower or swimming pool.

If this heater is used with an external programmed controller, thermal control, timer or any other device, which switches the heater on automatically; a separate isolation switch must be linked into the installation for the safety of the installer or service engineer.

Do not allow an excess of cable between the appliance and the furniture as this may be snagged or trapped when fitting the heater into the furniture cavity.

Introduction

The Mini Plinth Heater is designed for use on a normal wet two pipe pumped central heating system.

It is specifically intended to replace radiators where space is limited or wall hung devices are inappropriate.

The unit locates behind the kickboard of modern built in furniture thereby utilising space, which would not normally be used.

It is floor mounted and attaches itself to the kickboard where a minimum height of 110mm is available.

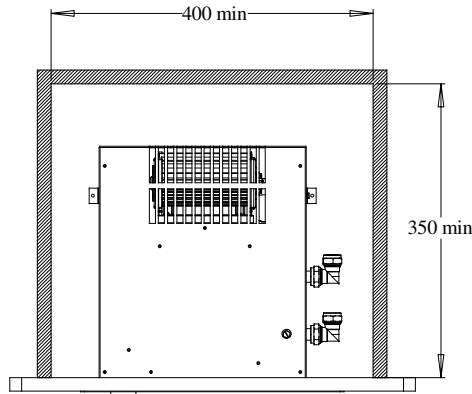
Principal of operation: **MPR 1000 Fan assisted radiator.** *The water radiator fitted to this appliance is known as a fan coil radiator. A fan coil radiator works differently to a normal wall radiator in that less water is needed to generate heat, thus improving efficiency. The MPR system has a fan, which blows air across the heater matrix within the unit; the air enters the unit at room temperature and exits at the temperature set by the water. Operation of the MPR is automatic in that once the water reaches a temperature of 55 °C or above the fan will operate and heat will be blown through the ducts into the room. The thermostat mounted on the front of the unit will modulate the fan according to the temperature set. It is important to note that the fan will not operate until the water temperature reaches 55 °C.*

The fan will continue to run as long as the water is maintained at a temperature above 45°C. When the boiler shuts down the fan blower will also shut down after a short delay. *The heater may be operated on sealed systems. This type is commonly found with modern "combination" or system boiler installations where the maximum operating pressure is 3 bar and maximum temperature of the water typically 85°C*

Installation:

The minimum space required to install the heater is as shown in fig 1 & 2.

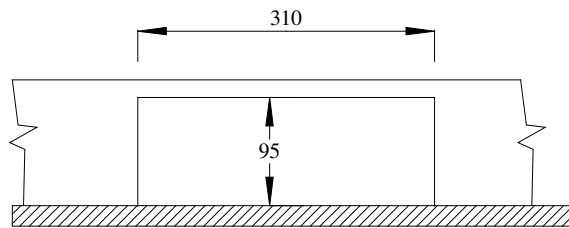
Fig 1



The unit must be fitted to an opening in the front face of the furniture 310mm x 95 mm.

Do not site the unit where it may be dripped upon or where clothes or coverings such as curtains can obstruct the air slots at the front. If the unit is fitted to the base of a cupboard, a panel must be fitted over the unit to seal it from ingress of dust and any other objects.

Fig 2



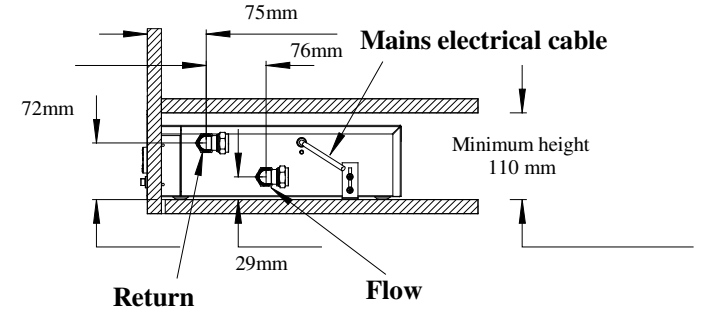
Plinth cut away details.

Water connections:

The unit should be fitted with isolating valves within close proximity. This to facilitate local draining for any service work required. In order to make the unit removable from the front, connecting pipe-work to the heat exchanger tail pipes should be compression type and **NOT** solder capillary type.

See Fig 1. A removable access plate fitted to the base of the cupboard unit under which it is fitted will ensure easy access

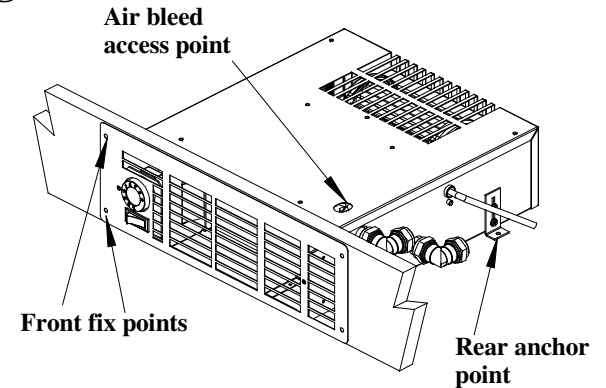
Fig 3



Secure unit

Screw the front plate to the face of the furniture using screws provided and secure at rear using anchor plates. (See fig 4.).

Fig 4



Commissioning:

The unit must be isolated from electrical connection whilst filling and purging system of air.

When filling the heating system the unit should self-vent but in the case of an air lock, a bleed screw is provided on the heater connection tail pipe. (See fig 4).

Unscrewing the bleed nut 1/2 turn should allow any air in the heater coil to be expelled. Ensure all water connections are sound and check the operation of the heater thermostats.

Turn the user adjustable thermostat at the front of the grill to the maximum position, then turn on the central heating system and allow water to circulate through the coil.

ENSURE THAT ANY ISOLATING VALVES FITTED ARE SET TO THE OPEN POSITION.

Turn on power to the unit from the isolator switch.

Once the water reaches a temperature of 55 C or above the fan will operate and will continue to run until the air temperature in the room reaches the required comfort limit set by the user operated thermostat

Maintenance and Cleaning:

Cleaning

Under no circumstances use an abrasive cleaner on painted surfaces. Such use will cause permanent damage to the appearance of your heater.

Maintenance

Your Widney plinth heater is a specialist piece of equipment. Any maintenance repair or servicing should be carried out by a qualified engineer with the specialist equipment Necessary. In particular the cover should never be removed whilst the unit is connected to the mains_supply

Note:

If the mains connection cable is damaged, the Manufacturer, its Service agent or a qualified competent person in order to avoid a hazard and comply with legislative requirements, must replace it.

This appliance is intended for use by competent persons who have been instructed in its use either by adequate training or by an understanding of the supplied instructions

Adequate care should be taken that the appliance is NOT tampered with in any way during its operation.

Operation:

The unit is fitted with a user adjustable thermostat to suit preferred conditions.

In addition the switch immediately below the thermostat will provide 30% extra heat output if required.

Note: Both normal (centre) and boost ((left position) on the switch are controlled from the thermostat automatically. The fan will only operate when the water reaches a minimum 55 C in the central heating system. See fig 5

Summer operation:

If the right hand setting is chosen, the unit will re-circulate air when required during summer months.

In this position the fan will run irrespective of water temperature and can therefore operate independently of the heating system. If chosen when the heating system is on the fan will operate continuously regardless of any temperature setting on the thermostat

Fig 5

