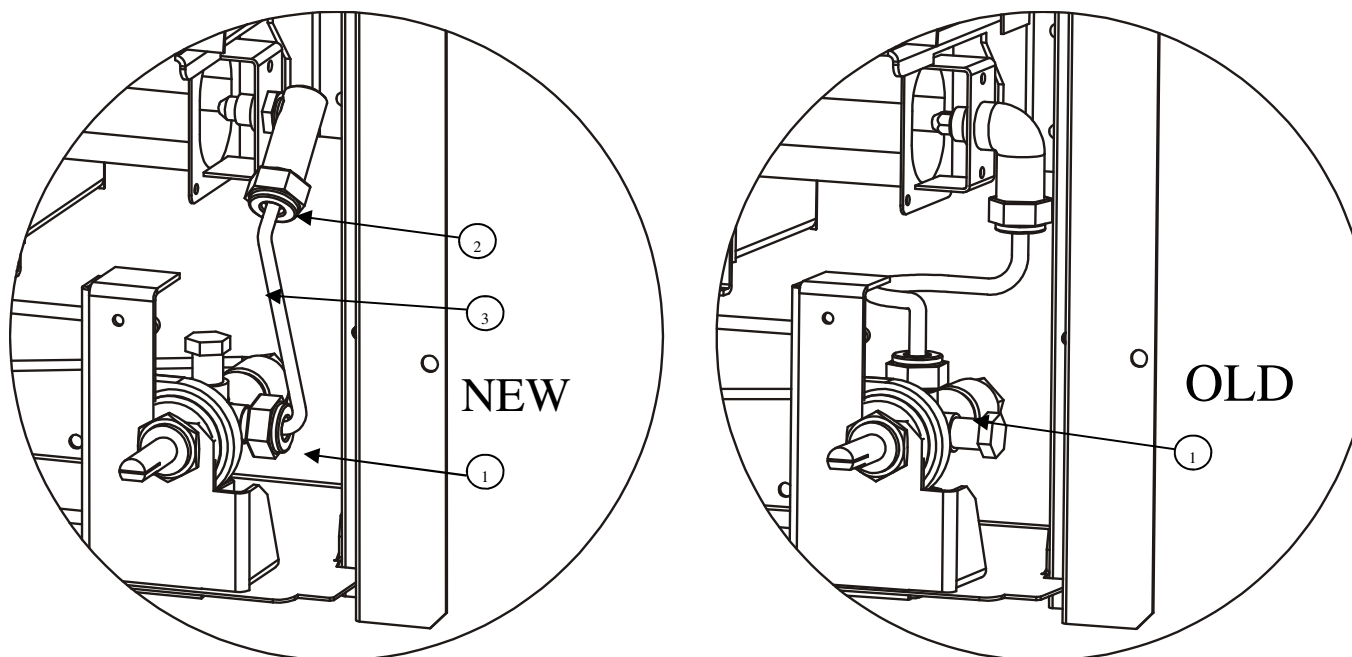


Installation of replacement gas valve Replacement Kit Part No WOO413

These instructions apply to all Modena, Venetian and Palermo Gas Fires before serial number 68346



WARNING

**Before replacing any components isolate the gas appliance from all mains services
Do not undertake this procedure unless you are a competent installer.**

Step 1. Remove the old gas pipe and gas valve.

Step 2. Replace gas valve with new part—note that the outlet from the gas valve to the burner is now at 90 degrees clock wise from the original valve see item 1

Step 3. Connect the gas inlet tube to the gas valve see item 1

Step 4. Turn the injector elbow towards the front See Item 1 so that it aligns with the tube from the gas valve see item 3

Step 4. Connect the gas supply tube to the injector elbow, ensure that the pipe is correctly aligned with the injector elbow before tightening the nut.

Step 5. Connect all other gas pipes and thermocouple.

Step 6. Undertake a leak test to ensure that all connections are leak free.

Step 7. Undertake pressure test.

Step 8. Re-commission gas appliance.