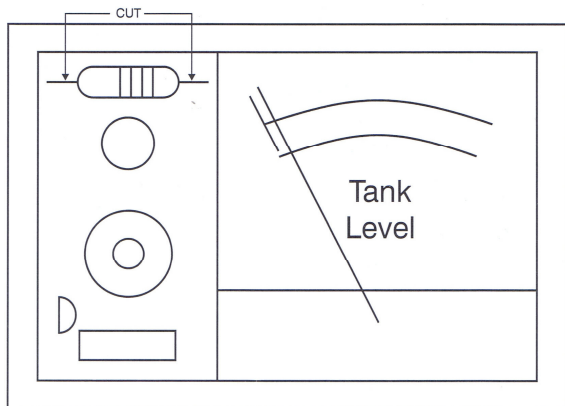


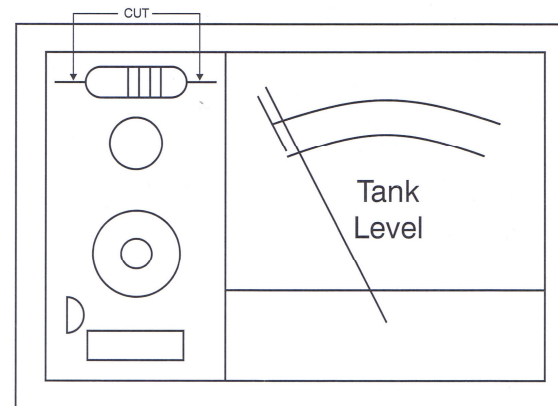
Modification to Zig WG4 Water Gauge for use with short probes (less than 10" long)



Remove Resistor by Cutting as shown above

ZRM0652 Issue.A.

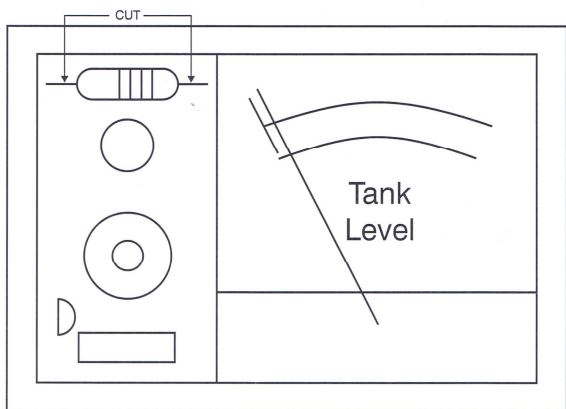
Modification to Zig WG4 Water Gauge for use with short probes (less than 10" long)



Remove Resistor by Cutting as shown above

ZRM0652 Issue.A.

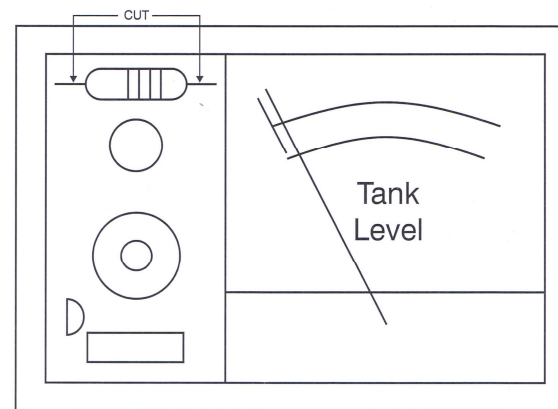
Modification to Zig WG4 Water Gauge for use with short probes (less than 10" long)



Remove Resistor by Cutting as shown above

ZRM0652 Issue.A.

Modification to Zig WG4 Water Gauge for use with short probes (less than 10" long)



Remove Resistor by Cutting as shown above

ZRM0652 Issue.A.